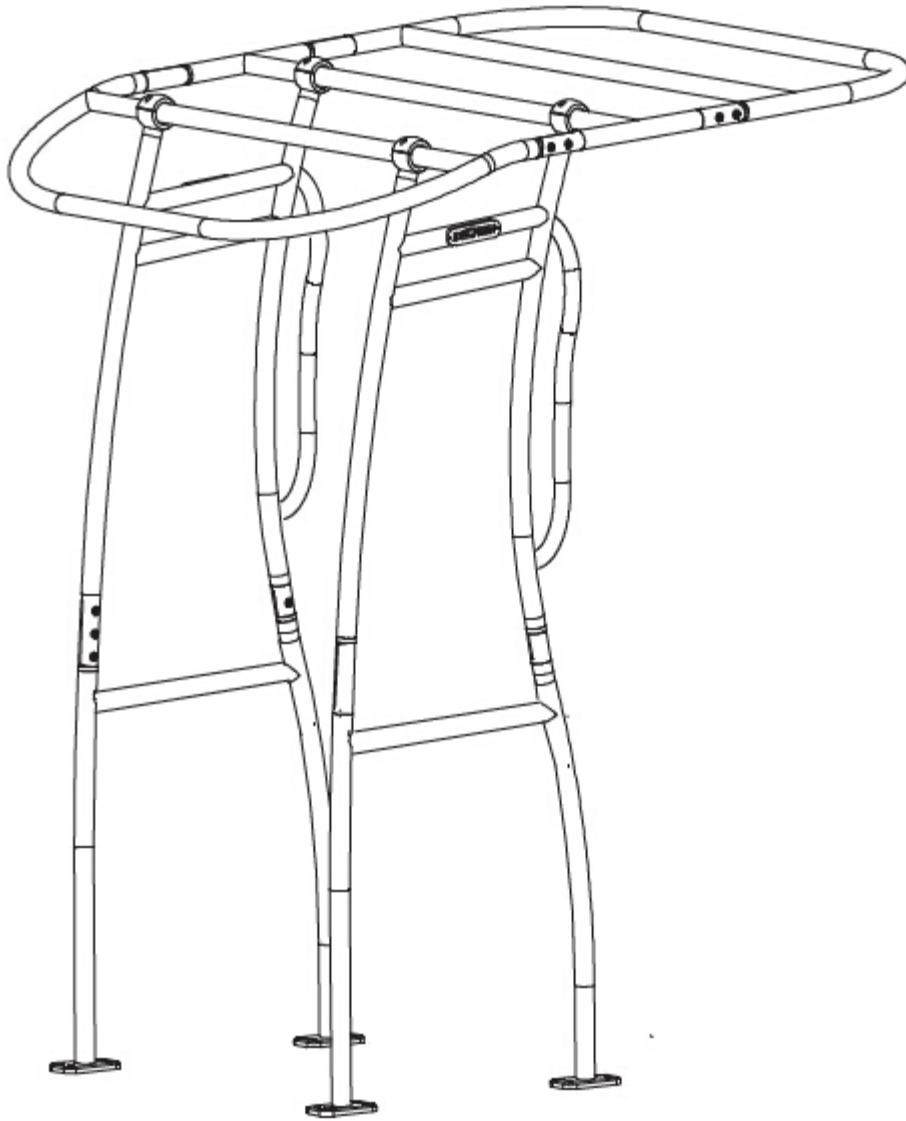
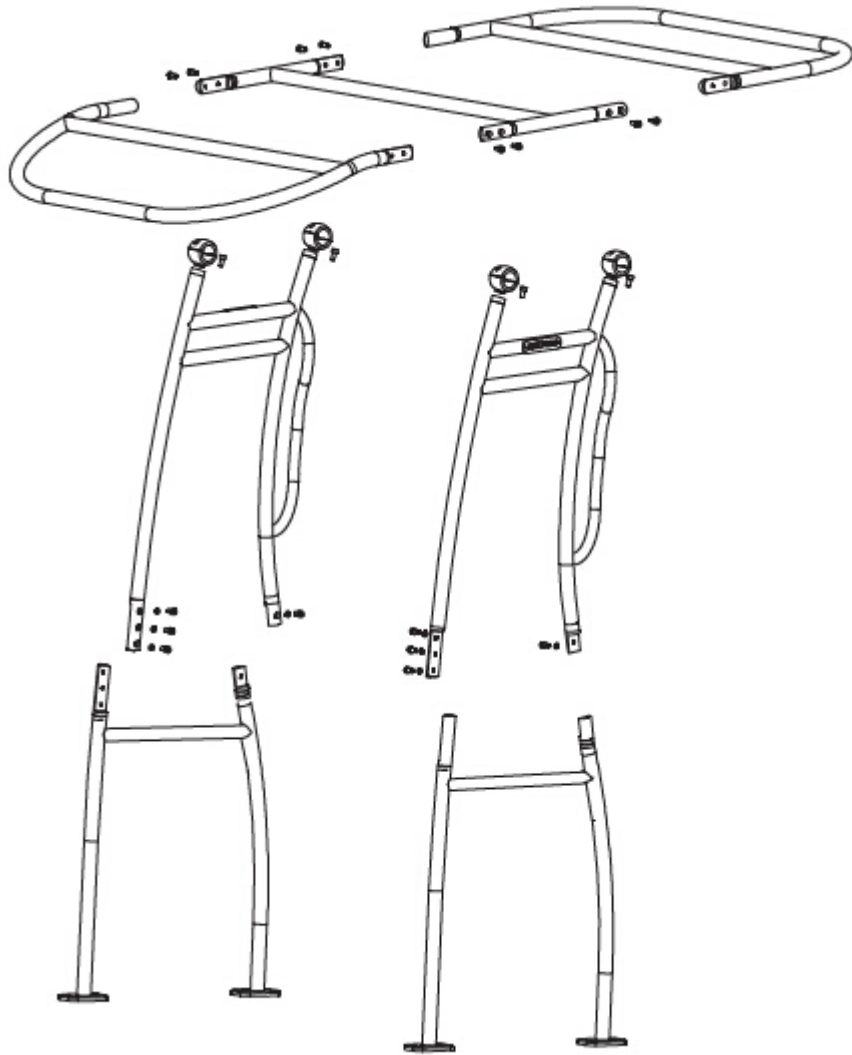


DOLPHIN PRO/ PRO 2 T TOP INSTALLATION GUIDE



EXPLODED VIEW OF THE DOLPHIN PRO T TOP FOR
REFERENCE



STEP 1:

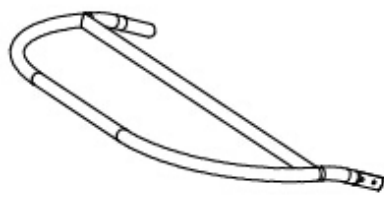
Unpack and check the contents of the box and check parts list.

Please Read all Instruction prior to installation

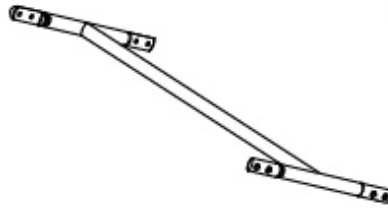
If you are NOT sure of any part of the guide or you have any questions

Please contact the supplier or DOLPHIN T Tops

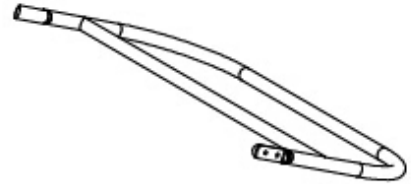
PARTS LIST



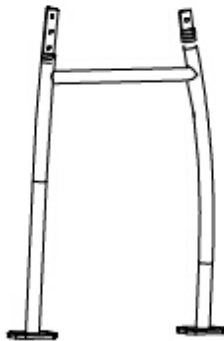
1 x Front



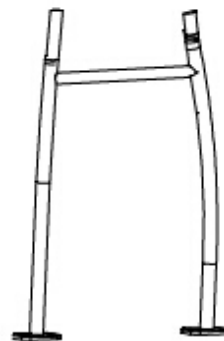
1 x Centre



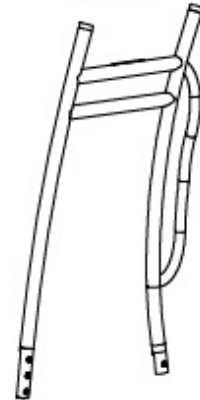
1 x Rear



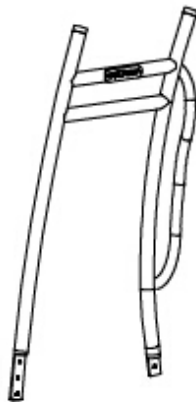
1 x base Stbd



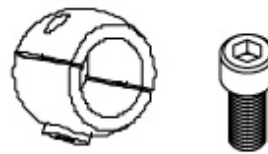
1 x base Port



1 x Stbd



1 x Port



4 x Ball Clamps with
4 x Rubber inserts
4 x Allen head bolts



8 x M12 Bolts for Main
Support frame



8 x M10 Bolts
for top section frame

1 X CANVAS
TOP COVER WITH ZIPPER

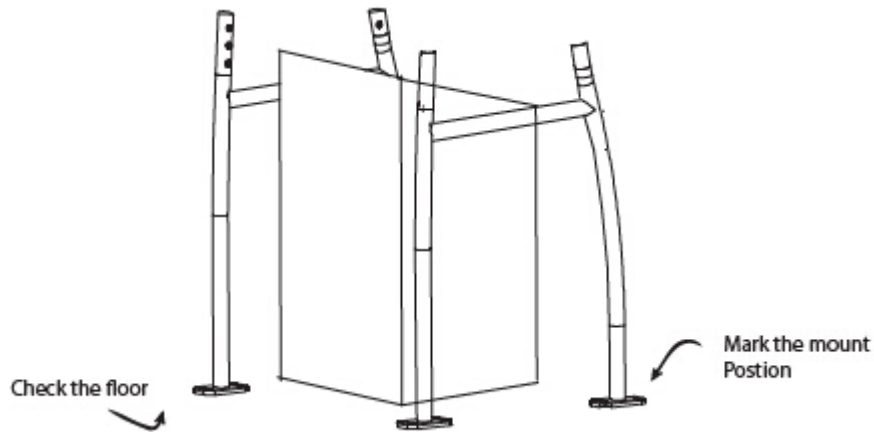
2 x Standoffs with bolts
16 x long bolts and nuts
& backing plates for deck
mounts

STEP 2:

Positioning of the lower half of the side frame.

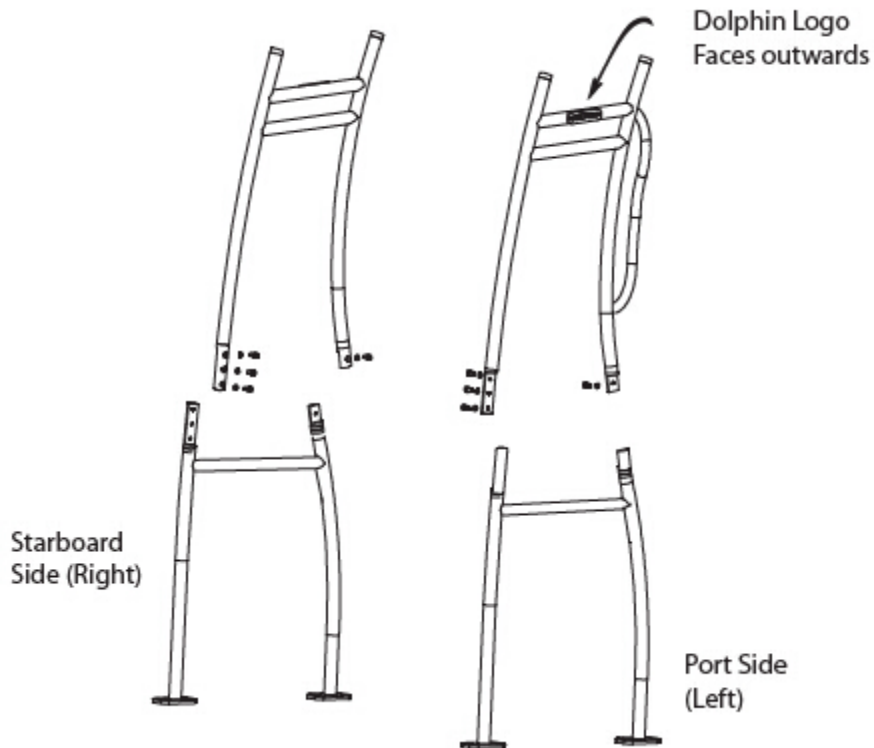
Distance from the center console to lower side frame (1inch to

7inch) Check under the floor for wires or other objects that could effect the mounting Place the lower half of side frame in the desired position and mark as a reference Remove the side frames and Measure the distance between the front mounting position from Port to Starboard (side to side) Right this measurement down



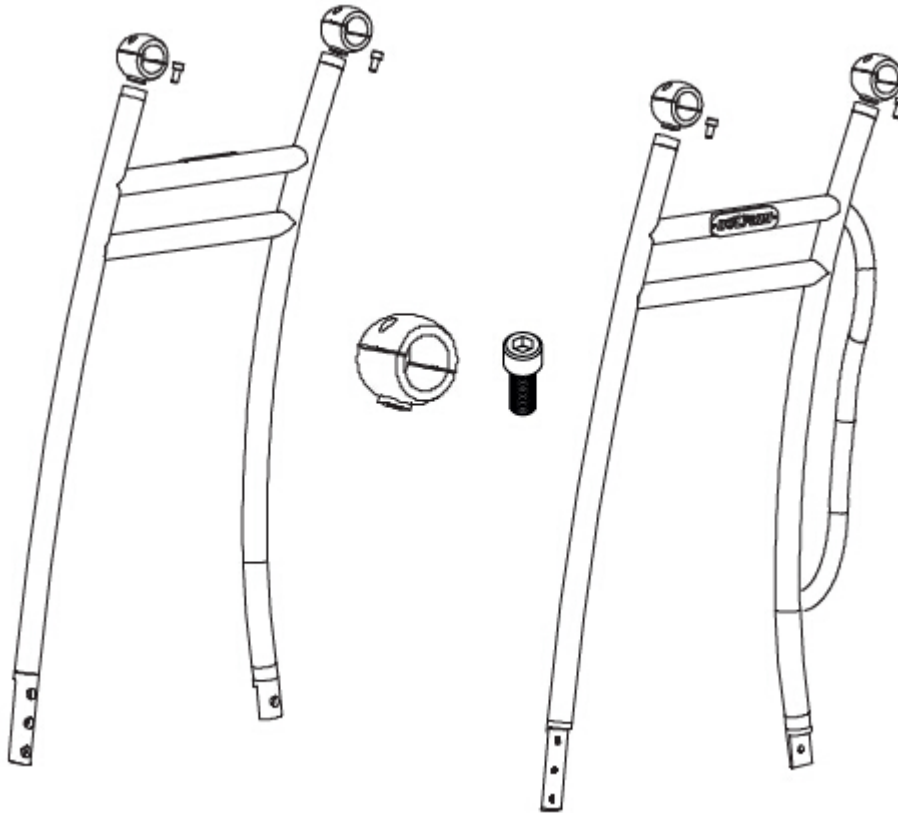
STEP 3: Assemble the side support frame

Attach the lower half and upper half of the side frames using the bolts and split washers. Note the Dolphin logo faces outwards from the boat Note the bolt heads will be concealed in the counter sunk area and face inwards towards the console. Note you have a Port and Starboard Side Frame as described above logos facing outwards



STEP 4: Attach the ball clamps to top of Side Frames

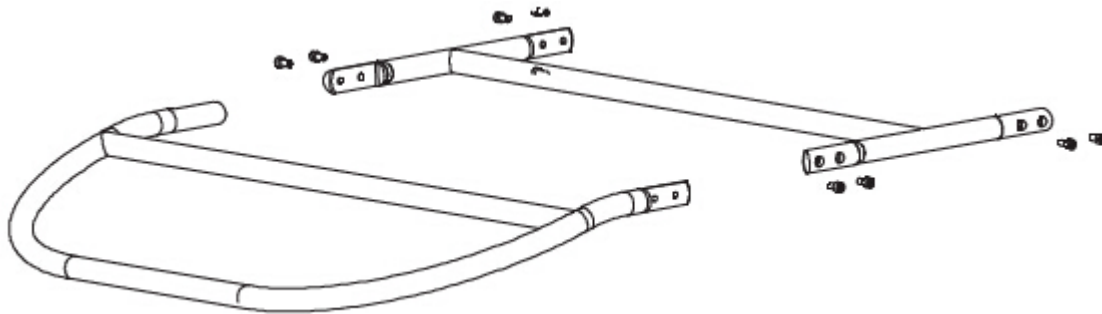
The top of the side frame has a counter sunk circle with a threaded hole; the ball clamps have a raised circle area. Insert the raised circle area into the counter sunk hole of the side frame insert bolt from inside the ball clamp into the side frame end and tighten. NOTE Allow the ball clamp to rotate very slightly for adjustment.



STEP 5: Assemble the front and center section of the top frame

Note the shape of the front section is narrow and also has a bend curve which faces downwards when attached to the side support frames of the T Top.

Note the lap joints have a number on the face match these up for correct installation



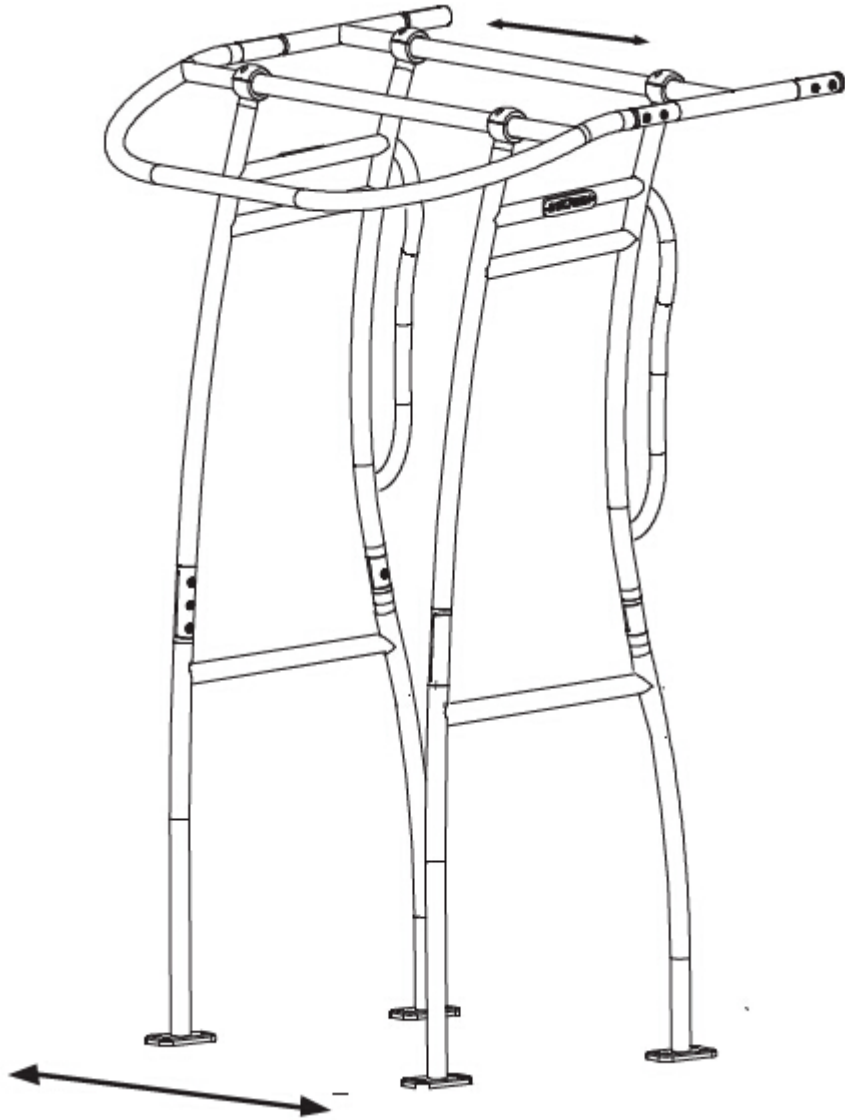
STEP 6: Attach the Side Supports to the Assemble Top Section

Check the direction of the side support arms Logo to the outside, handle to the rear. The small curved top frame for the cover curves and bends downwards to the floor

Remove the tops of the ball clamps please NOTE the clamps are to be placed on the same way (they are numbered inside)

Find the center of the cross bar on the top section mark this. Use the measurement you marked out for the position of the deck mounts Mark this in the two cross beams on the top section that is assembled.

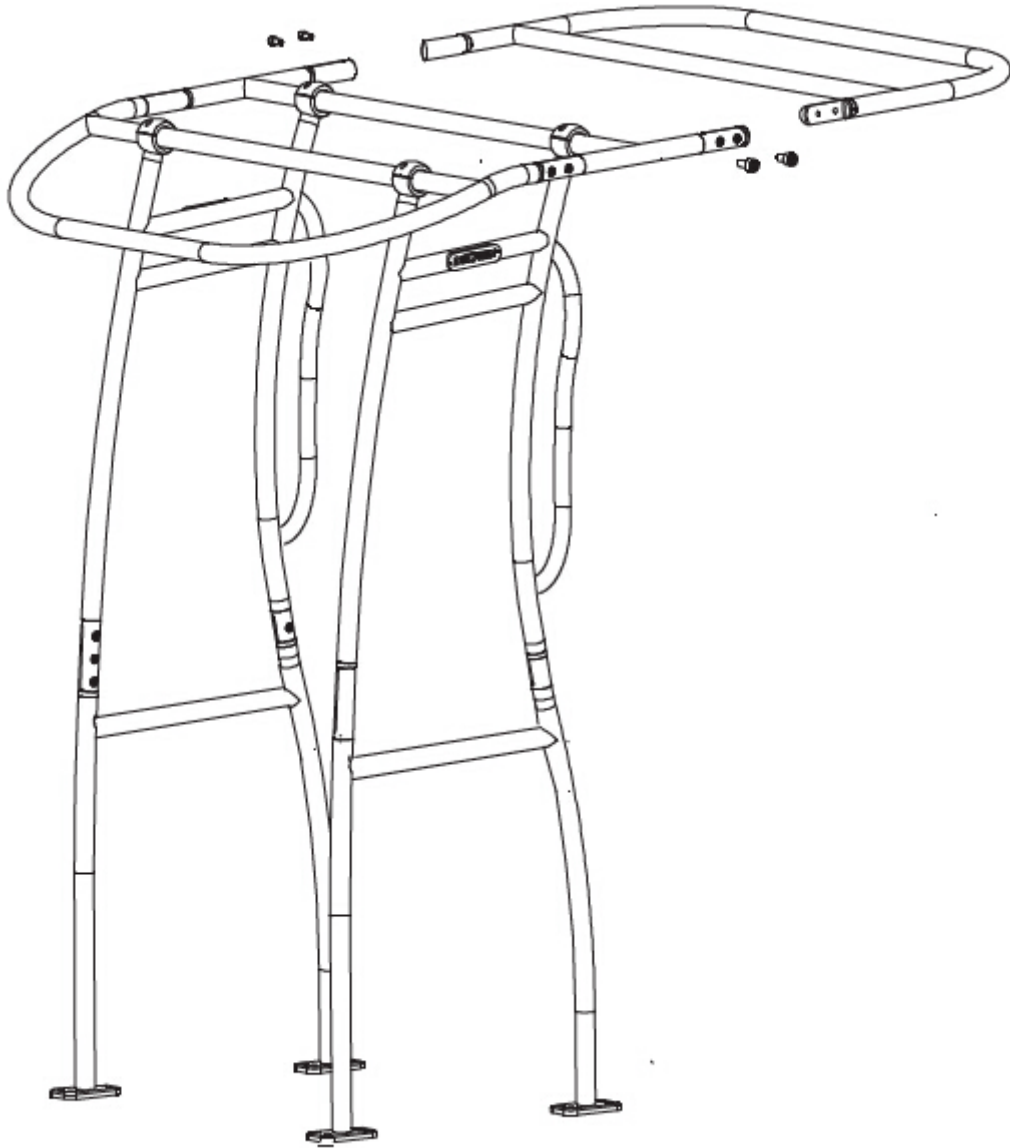
Attach the partial top section to the support frame ensuring all parts are facing the correct direction. (Refer to pictures of T Tops for reference if unsure.)



STEP 7: Attach the T top to the floor of the boat

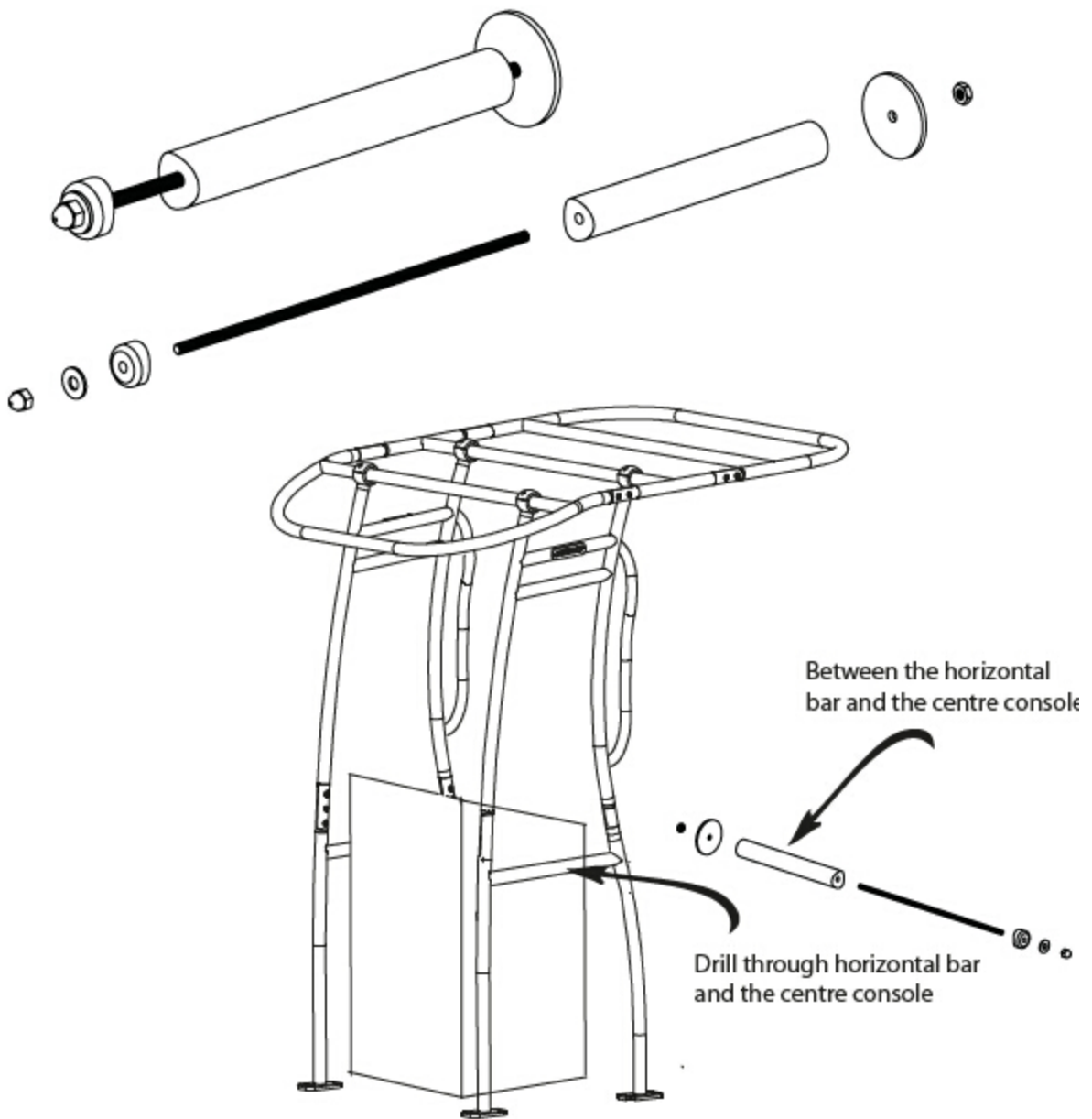
Place the T Top you have assemble on the marks you have made near your console Now you can pre drill and use the bolts and backing plates and lock in you mounting points NOTE: Check under the floor for any wires or objects before drilling holes.

STEP 8: Attach rear section of the top frame to the T Top



STEP 9: Attaching the Sunbrella Material cover to the top frame. Remove the cover and lay out on the ground. Note: there is a zipped front pocket, which is zipped from side to side. Place this over the front section of the T top and zipper up now you can fold out over the rest of the top frame and hook over the back and zipper this section up and the Velcro corner sections. Now you can pull tight the side section with zippers and Velcro tabs.

STEP 10: Attaching poles to T Top side main frames.



CARE AND MAINTENANCE

Be sure to check and tighten all fasteners and connections prior to every use. Be cautious when towing or driving under obstacles, low hanging structures or trees. Leave dolphin top in the erect position when towing behind a vehicle. Use soap and water to clean your tower. Avoid abrasive material that might scratch or damage the tower protective finish. Always rinse and wipe down tower after contact with salt (brackish) water.

WARRANTY

Dolphin T Tops warrants the product (not including other 3rd party accessories) against manufacturer's defects. To claim you must contact Dolphin T Tops or its Distributor. The product/part is to be sent to the Distributor for inspection where it will either be repaired or replaced. (Unless otherwise agreed in writing) The customer is liable for costs associated in shipping the product/part to Dolphin T Tops.

Dolphin is not responsible for personal injury or damage to the boat caused by the use of the t-top or any transport charges or cost of installation or removal of the t top. Dolphin is not liable for direct or indirect or consequential damages resulting from delay or improper installation.

Warranty does not cover Anodized, polished or powder coated surfaces as well as any hardware corrosion they are specially excluded as their care and use can not be controlled by Dolphin.

Warranty does not cover the spider coat gel cracking or damage from the installation or use of the t top on your boat. No dealer, retailer or manufacturer is the agent and may not assume any liability in connection with this warranty. This warranty is in lieu of all.

WARNING

The construction of your boat, design, thickness of mooring deck and walls and overall design may cause movement at the mounting points. If the construction of your boat causes movement at the mounting points or incorrect mounting location creates added pressure on joints increasing movement of the t top it voids warranty. If in doubt do not install the t top. Check all bolts and parts prior to use, especially after towing behind a vehicle, lowering and raising after storage.

WARNING

Do not stand, climb or jump on tower, do not tow the boat behind a vehicle with the t top lowered. Do Not Ski, wake, tow tubes, boats or other watercraft from the tower. Watch out whilst moving under objects, such as bridges, low buildings and

trees.